

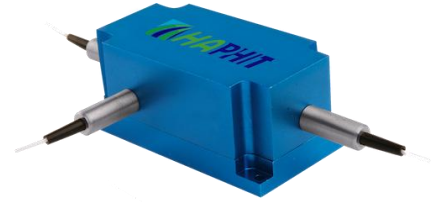
1120nm 3-port Optical Circulator for Pulse Power

FEATURES

- High Isolation
- Low Insertion Loss
- Epoxy-Free Optical Path
- High Reliability and Stability
- Low Profile Packaging

APPLICATIONS

- Fiber Optic Amplifiers
- Fiber Optic Instruments
- WDM Systems
- Dispersion Compensation
- Light Routing



SPECIFICATIONS

Parameter	Unit	Value
Center Wavelength	nm	1120
Operating Wavelength Range	nm	+/-10
Insertion Loss@ 23 °C (1→2 or 2→3)	(Typ.)	0.8
	(Max.)	1.8
Isolation @ 23 °C (3→2 or 2→1)	(Typ.)	20
	(Min.)	16
Optical Return Loss	dB	≥45
Polarization Dependent Loss	dB	≤0.2
Fiber Type	-	HI1060 Fiber or 10/125um SC Fiber (E) 10/125um DC Fiber (O), 15/130um DC Fiber (W) 20/130um DC Fiber (Q) or 25/250um DC Fiber (R)
Fiber Tensile Load	N	5
Max. Average Optical Power	W	0.5, 1, 2, 3, 5, 10, 15, 20, 25, 30, 50, 60, 80, 100
Max. Peak Power for pulse	kW	0.1, 1, 2, 3, 5, 10, 15, 20
Operating Temperature	°C	0~50
Storage Temperature	°C	-10~65

Note: 1. Specifications are for device without connectors; Specifications may change without notice.

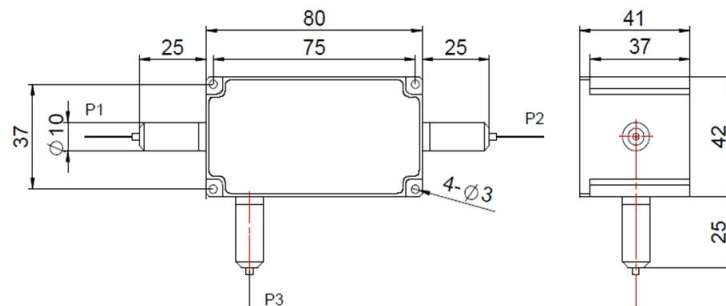
2. To add connectors, IL is 0.5dB higher, RL is 5dB lower.

3. Only guarantee 1W continuous wave (CW) power thru testing for connectors added.

4. Devices for higher optical power or with other type fiber or consigned fiber are also available; Devices can only work in the core of Double Cladding (DC) Fiber, Cladding Power must be stripped before connecting the device.

5. Package size may be different for different optical power and fiber types.

DIMENSION DRAWING



ORDERING INFORMATION (PN)

FCIR-	NNNN	-3H NN	P NN	- (NN)	- (C)	C	NN	- CC/CCC
Center Wavelength	Average Power	Peak Power	Average Power P2	Fiber Type	Fiber Sleeve	Fiber Length	Connector Type	
1120~1120nm	05~500mW	01~100W	1~1W	E=10/125 SC Fiber	B= Bare fiber	05~0.5m	N=Without Connector	
	1~1W	1~1kW	2~2W	Q=20/130 DC Fiber	L= Loose Tube	10~1.0m	FC/APC=FC/APC Connector	
	5~5W	10~10kW	5~5W	R=25/250 DC Fiber	2= 2mm Cable	15~1.5m	LC/PC=LC/PC Connector	
	20~20W	20~20kW	Blank for P2=P1	Blank for HI1060 Fiber	3= 3mm Cable	20~2.0m	SC/UPC=SC/UPC Connector	

