

## 460~660nm 3-port Optical Circulator

### FEATURES

- ☑ High Isolation
- ☑ Low Insertion Loss
- ☑ Epoxy-Free Optical Path
- ☑ High Reliability and Stability
- ☑ Low Profile Packaging

### APPLICATIONS

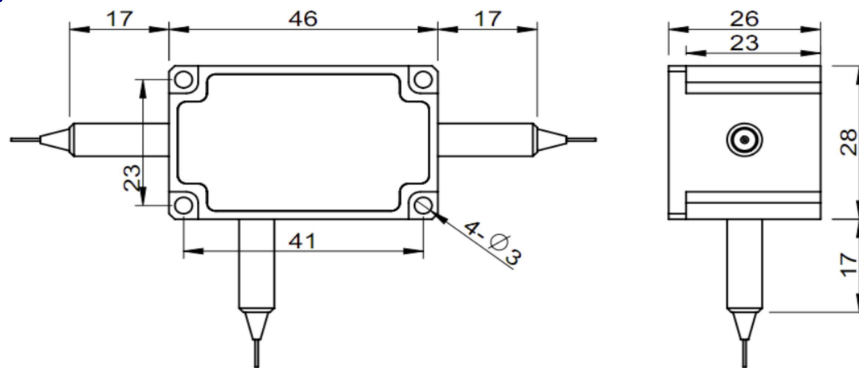
- ☑ Fiber Optic Amplifiers
- ☑ Fiber Optic Instruments
- ☑ WDM Systems
- ☑ Dispersion Compensation
- ☑ Light Routing

### SPECIFICATIONS

Parameter	Unit	Value	
Center Wavelength	nm	460, 488, 520, 532	635, 650, 660
Bandwidth	nm	+/-5	
Insertion Loss@23°C	(Typ.)	1.6	1.3
	(Max.)	2.5	2.0
Isolation@23°C	(Typ.)	20	
	(Min.)	18	
PDL	dB	≤0.3	
Optical Return Loss	dB	≥45	
Cross Talk	dB	≥40	
Fiber Type	-	460-HP Fiber	630-HP Fiber
Fiber Tensile Load	N	5	
Maximum Optical Power (CW)	mW	30	
Operating Temperature	°C	10~50	
Storage Temperature	°C	-10~65	

- Note:**
1. Specifications are for device without connectors; Specifications may change without notice.
  2. To add connectors, IL is 1.2dB higher, RL is 5dB lower.
  3. Devices for higher optical power or with other type fiber or consigned fiber are also available.

### DIMENSION DRAWING



### ORDERING INFORMATION (PN)

<b>FCIR-</b>	<b>NNN</b>	<b>-3</b>	<b>C</b>	<b>NN</b>	<b>-CC/CCC</b>
	<i>Center Wavelength</i>		<i>Fiber Sleeve</i>	<i>Fiber Length</i>	<i>Connector Type</i>
	488-488nm		B- Bare fiber	05-0.5m	N-Without Connector
	532-532nm		L- Loose Tube	10-1.0m	FC/APC=FC/APC Connector
	635-635nm		2-2mm Cable	15-1.5m	LC/PC=LC/PC Connector
	650-650nm		3-3mm Cable	20-2.0m	SC/UPC=SC/UPC Connector