

690nm 3-port Optical Circulator

FEATURES

- ☑ High Isolation
- ☑ Low Insertion Loss
- ☑ Epoxy-Free Optical Path
- ☑ High Reliability and Stability
- ☑ Low Profile Packaging

APPLICATIONS

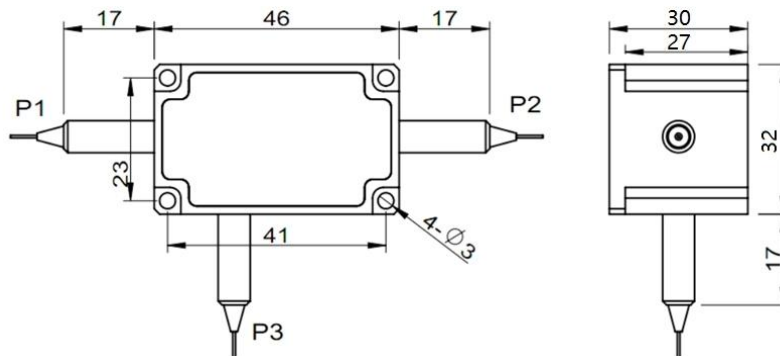
- ☑ Fiber Optic Amplifiers
- ☑ Fiber Optic Instruments
- ☑ WDM Systems
- ☑ Dispersion Compensation
- ☑ Light Routing

SPECIFICATIONS

Parameter	Unit	Value
Center Wavelength	nm	680, 690
Bandwidth	nm	+/-5
Insertion Loss@23°C	(Typ.)	1.3
	(Max.)	2.0
Isolation@23°C	(Typ.)	20
	(Min.)	17
PDL	dB	≤0.3
Optical Return Loss	dB	≥45
Cross Talk	dB	≥40
Fiber Type	-	630-HP Fiber
Fiber Tensile Load	N	5
Maximum Optical Power (CW)	mW	30
Operating Temperature	°C	10~45
Storage Temperature	°C	-10~65

- Note:**
1. Specifications are for device without connectors; Specifications may change without notice.
 2. To add connectors, IL is 1.2dB higher, RL is 5dB lower.
 3. Devices for higher optical power or with other type fiber or consigned fiber are also available.

DIMENSION DRAWING



ORDERING INFORMATION (PN)

FCIR-	NNN	-3	C	NN	-CC/CCC
	<i>Center Wavelength</i>		<i>Fiber Sleeve</i>	<i>Fiber Length</i>	<i>Connector Type</i>
	680-680nm		B- Bare fiber	05-0.5m	N-Without Connector
	690-690nm		L- Loose Tube	10-1.0m	FC/APC=FC/APC Connector
			2-2mm Cable	15-1.5m	LC/PC=LC/PC Connector
			3-3mm Cable	20-2.0m	SC/UPC=SC/UPC Connector