

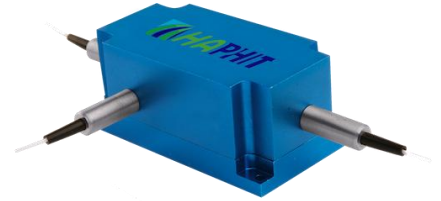
750-810nm 3-port Optical Circulator

FEATURES

- ▣ High Isolation
- ▣ Low Insertion Loss
- ▣ Epoxy-Free Optical Path
- ▣ High Reliability and Stability
- ▣ Low Profile Packaging

APPLICATIONS

- ▣ Fiber Optic Amplifiers
- ▣ Fiber Optic Instruments
- ▣ WDM Systems
- ▣ Dispersion Compensation
- ▣ Light Routing

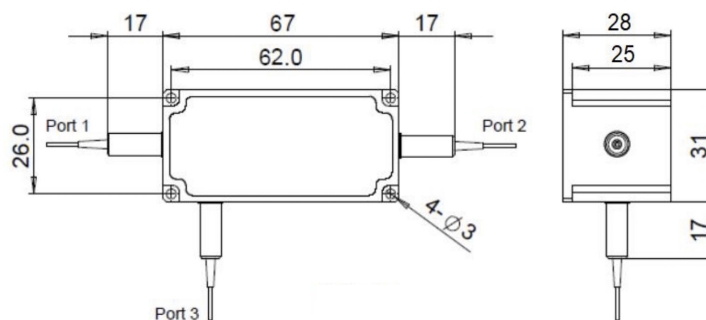


SPECIFICATIONS

Parameter	Unit	Value
Working Wavelength	nm	750±10, 780±10, 793±10, 808±10
Insertion Loss@23°C	(Typ.)	1.0
	(Max.)	1.8
Isolation@23°C	(Typ.)	19
	(Min.)	16
PDL	dB	≤0.2
Optical Return Loss	dB	≥45
Cross Talk	dB	≥45
Fiber Type	-	HI780 Fiber or 780HP Fiber
Fiber Tensile Load	N	5
Maximum Optical Power (CW)	W	0.3, 0.5, 1, 2, 3, 5, 10, 15, 20
Operating Temperature	°C	0~50
Storage Temperature	°C	-10~65

- Note:**
1. Specifications are for device without connectors; Specifications may change without notice.
 2. To add connectors, IL is 0.7dB higher, RL is 5dB lower.
 3. Only guarantee 1W continuous wave (CW) power thru testing for connectors added.
 4. Devices for higher optical power or with other type fiber or consigned fiber are also available.
 5. Package size may be different for different optical power and fiber types

DIMENSION DRAWING



ORDERING INFORMATION (PN)

FCIR-	NNN	-3HP NN	- (NN)	- (N)	C	NN	-CC/CCC
	<i>Center Wavelength</i>	<i>Optical Power</i>	<i>Optical Power P2</i>	<i>Fiber Type</i>	<i>Fiber Sleeve</i>	<i>Fiber Length</i>	<i>Connector Type</i>
	750-750nm	05-500mW	1- 1W	7- 780HP Fiber	B- Bare fiber	05-0.5m	N-Without Connector
	780-780nm	1-1W	2- 2W	Blank for HI780 Fiber	L- Loose Tube	10-1.0m	FC/APC=FC/APC Connector
	790-790nm	5-5W	5-5W		2- 2mm Cable	15-1.5m	LC/PC=LC/PC Connector
	808-808nm	10-10W	Blank for P2=P1		3- 3mm Cable	20-2.0m	SC/UPC=SC/UPC Connector