

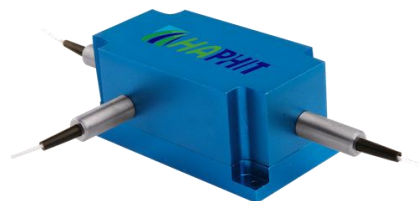
## 750-810nm 3-port Optical Circulator for Pulse Power

### FEATURES

- High Isolation
- Low Insertion Loss
- Epoxy-Free Optical Path
- High Reliability and Stability
- Low Profile Packaging

### APPLICATIONS

- Fiber Optic Amplifiers
- Fiber Optic Instruments
- WDM Systems
- Dispersion Compensation
- Light Routing

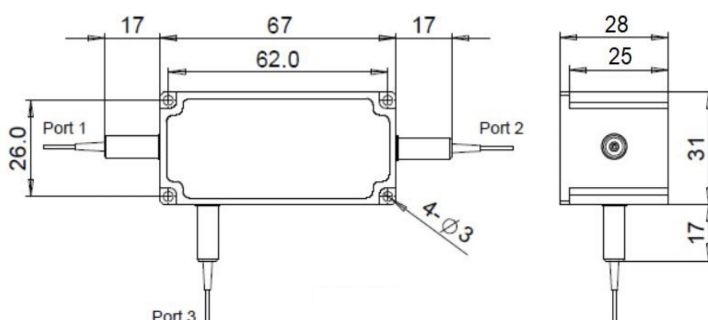


### SPECIFICATIONS

Parameter	Unit	Value
Working Wavelength	nm	750±10, 780±10, 793±10, 808±10
Insertion Loss@23°C	(Typ.)	1.0
	(Max.)	1.8
Isolation@23°C	(Typ.)	19
	(Min.)	16
PDL	dB	≤0.2
Optical Return Loss	dB	≥45
Cross Talk	dB	≥45
Fiber Type	-	HI780 Fiber or 780HP Fiber
Fiber Tensile Load	N	5
Maximum Average Power	W	0.3, 0.5, 1, 2, 3, 5, 10, 15, 20
Max. Peak Power for Pulse	kW	0.1, 1, 2, 3, 5, 10, 15, 20
Operating Temperature	°C	0~50
Storage Temperature	°C	-10~65

- Note:**
- Specifications are for device without connectors; Specifications may change without notice.
  - To add connectors, IL is 0.7dB higher, RL is 5dB lower.
  - Only guarantee 1W continuous wave (CW) power thru testing for connectors added.
  - Devices for higher optical power or with other type fiber or consigned fiber are also available.
  - Package size may be different for different optical power and fiber types

### DIMENSION DRAWING



### ORDERING INFORMATION (PN)

FCIR-	NNN	-3H NN	P NN	(NN)	(N)	C	NN	- CC/CCC
Center Wavelength	Average Power	Peak Power	Average Power P2	Fiber Type	Fiber Sleeve	Fiber Length	Connector Type	
750-750nm	05-500mW	01-100W	1- 1W	7- 780HP Fiber	B- Bare fiber	05-0.5m	N=Without Connector	
780-780nm	1-1W	1- 1kW	2- 2W	Blank for HI780 Fiber	L- Loose Tube	10-1.0m	FC/APC=FC/APC Connector	
790-790nm	5-5W	10- 10kW	5-5W		2- 2mm Cable	15-1.5m	LC/PC=LC/PC Connector	
808-808nm	10-10W	20-20kW	Blank for P2=P1		3- 3mm Cable	20-2.0m	SC/UPC=SC/UPC Connector	