

900-1150nm High Power Free Space Faraday Rotator

FEATURES

- High Isolation
- Low Insertion Loss
- Epoxy-Free Optical Path
- High Reliability and Stability
- Low Profile Packaging

APPLICATIONS

- Fiber Optic Amplifiers
- Fiber Optic Instruments
- WDM Systems
- Transmitters and Fiber Lasers
- CATV Networks

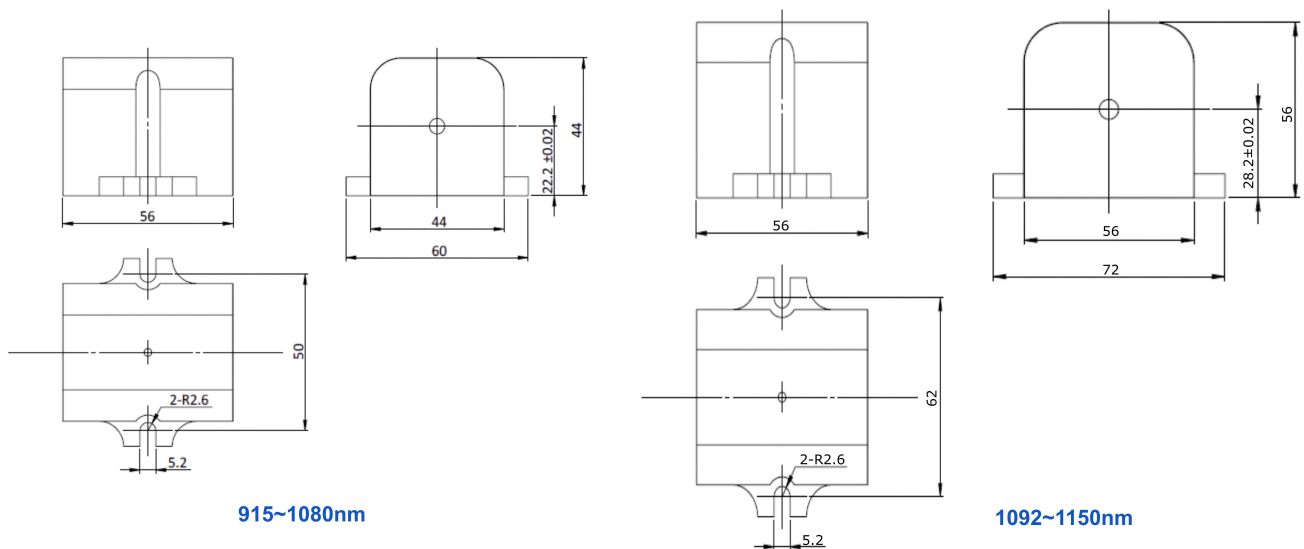
SPECIFICATIONS

Parameter	Unit	High Power Type
Center Wavelength (λ_c)	nm	915, 930, 950, 975 1020, 1030, 1040, 1053, 1064 1070, 1080, 1092, 1103, 1120, 1150
Operating Wavelength Range	nm	+/-10
Rotation Angle (λ_c , 23°C)	dB	22.5, 45, 90
Rotation Angle Tolerance (λ_c , 23°C)	dB	+/-5
Typical Insertion Loss (λ_c , 23°C)	dB	0.4
Max. Insertion Loss (λ_c , 23°C)	dB	0.7
Clear Aperture	mm	2.0, 3.0, 5.0
Maximum Optical Power (CW)	W	1, 2, 3, 5, 10, 20, 30, 40, 50, 60, 80, 100
Operating Temperature	°C	0~50
Storage Temperature	°C	-20~75

Note: 1. Devices for higher optical power and pulse power are also available.

2. Package dimensions may be different for different clear aperture and optical power.

PACKAGE DIMENSION



ORDERING INFORMATION (PN)

FFDR-NNNN	- (NN)	-HP NN	- NN
Center Wavelength	Rotation Angle	Optical Power	Clear Aperture
975-975nm	90-90degree	3-3W	20-2.0mm
1030-1030nm	225-22.5degree	10-10W	30-3.0mm
1064-1064nm	Blank for 45degree	20-20W	50-5.0mm
1092-1092nm		50-50W	