

## 960~1000nm High Power Optical Isolator

### FEATURES

- High Isolation
- Low Insertion Loss
- Epoxy-Free Optical Path
- High Reliability and Stability
- Low Profile Packaging

### APPLICATIONS

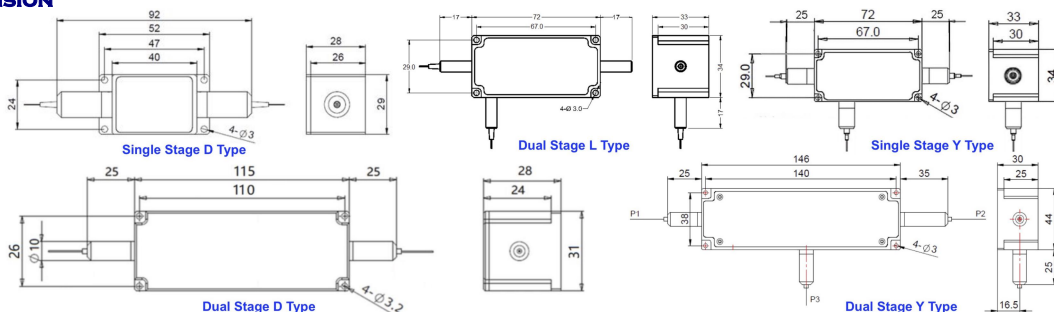
- Broadband Systems
- Optical Amplifying Systems
- Telecommunication Networks
- Metro Networks
- CATV Networks

### SPECIFICATIONS

Parameter	Unit	Single Stage	Dual Stage D Type	Dual Stage L Type
Center Wavelength ( $\lambda_c$ )	nm	975, 980, 990, 1000		
Operating Wavelength Range	nm	+/-10		
Peak Isolation (Typ.)	dB	28	40	
Min. Isolation (23°C)	dB	22	35	
Typical Insertion Loss ( $\lambda_c$ , 23°C)	dB	0.9	1.1	1.3
Max. Insertion Loss ( $\lambda_c$ , 23°C)	dB	1.5	1.8	
Optical Return Loss (Input/Output)	dB	50/50		
Max. Polarization Dependent Loss	dB	0.15		
Configuration	-	Standard: 2-Port; Y Type: 3-Port, Backward Power Guide Out		
Fiber Type	Input&Output	-	HI1060 Fiber or 10/125um SC Fiber (E) 10/125um DC Fiber (O), 15/130um DC Fiber (W) 20/130um DC Fiber (Q) or 25/250um DC Fiber (R)	
	3 <sup>rd</sup> Port (Y Type)	-	Same Fiber or 105/125um MM Fiber	
Fiber Tensile Load	N	5		
Max. Optical Power (CW)	W	0.3, 0.5, 1, 2, 3, 5, 10, 15, 20, 30, 50, 60, 80, 100		
Max. Backward Average Power	W	0.3, 0.5, 1, 2, 3, 5, 10		
Operating Temperature	°C	0~50		
Storage Temperature	°C	-20~75		

- Note:**
- Specifications are for device without connectors; Specifications may change without notice.
  - To add connectors, IL is 0.5dB higher, RL is 5dB lower.
  - Only guarantee 1W continuous wave (CW) power thru testing for connectors added.
  - Suggest to use Y type for >20W Optical Power or continuous backward power of  $\geq 500\text{mW}$ .
  - Devices for higher optical power or with other type fiber or consigned fiber are also available; Devices can only work in the core of Double Cladding (DC) Fiber, Cladding Power must be stripped before connecting the device.
  - Package dimensions may be different for different fiber type, configuration and optical power.

### PACKAGE DIMENSION



### ORDERING INFORMATION (PN)

FISO-NNN	- (C)	(C)	-HP NN	- (NN)	- (C)	C	NN	-CC/CC
Center Wavelength	Stage	3 <sup>rd</sup> Port Fiber	Optical Power	Backward Power	Fiber Type	Fiber Sleeve	Fiber Length	Connector Type
975~975nm	D=D Type	Y= Same Fiber	1=1W	05=500mW	E=10/125um SC Fiber	B= Bare Fiber	05=0.5m	N=Without Connector
980~980nm	L=L Type	A=105/125um Fiber	5=5W	1=1W	Q=20/130um DC Fiber	L= Loose Tube	10=1.0m	FC/APC=FC/APC Connector
990~990nm	Blank for Single	Blank for Standard	10=10W	10=10W	R=25/250um DC Fiber	2= 2mm Cable	15=1.5m	LC/PC=LC/PC Connector
1000~1000nm			100=100W	Blank for 300mW	Blank for HI1060 Fiber	3= 3mm Cable	20=2.0m	SC/UPC=SC/UPC Connector

