

532/635nm PM WDM Combiner Filter

FEATURES

- High Isolation
- Low Insertion Loss
- Epoxy-Free Optical Path
- High Reliability and Stability
- Low Profile Packaging

APPLICATIONS

- Broadband Systems
- Optical Amplifying Systems
- Telecommunication Networks
- Metro Networks
- CATV Networks

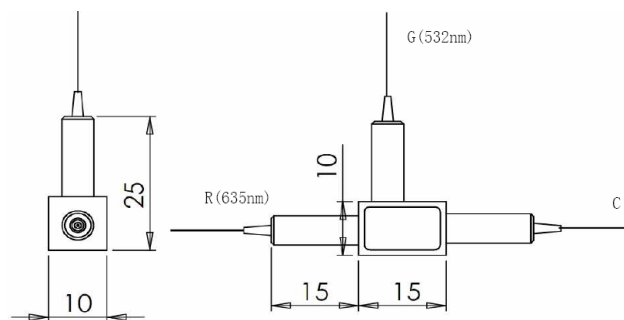


SPECIFICATIONS

Parameters	Unit	Value
Wavelength Range λ_1	nm	532
Wavelength Range λ_2	nm	635
Insertion Loss	dB	≤ 3.0
Optical Return Loss	dB	≥ 45
Extinction Ratio	dB	≥ 18
Fiber Type	-	PM 460-HP Fiber at Common & 532nm Port, PM 630-HP Fiber at 635nm port
Fiber Tensile Load	N	5
Maximum Optical Power (CW)	mW	100
Operating Temperature	$^{\circ}\text{C}$	23~45
Storage Temperature	$^{\circ}\text{C}$	-20~75

- Note:**
1. Specifications are for device without connectors; Specifications may change without notice.
 2. To add connectors, IL is 1.0dB higher, RL is 5dB lower, ER is 2dB Lower, Connector key is aligned to slow axis.
 3. Devices for higher optical power or with other type fiber or consigned fiber are also available.

PACKAGE DIMENSION



ORDERING INFORMATION (PN)

FPWM-5363

- **C**

Fiber Sleeve

- B**- Bare Fiber
- L**- Loose Tube
- 2**- 2mm Cable
- 3**- 3mm Cable

NN

Fiber Length

- 05**-0.5m
- 10**-1.0m
- 15**-1.5m
- 20**-2.0m

- **CC/CCC**

Connector Type

- N**-Without Connector
- FC/APC**-FC/APC Connector
- LC/PC**-LC/PC Connector
- SC/UPC**-SC/UPC Connector