

## 1600~1790nm Multimode Manual Adjustable Optical Attenuator

### FEATURES

- Low Excess Loss
- Various Attenuation
- Wide Passband
- High Stability and Reliability
- Epoxy Free Optical Path

### APPLICATIONS

- Optical Amplifier
- Optical Networks
- Power Monitoring
- Fiber Sensor
- Labs

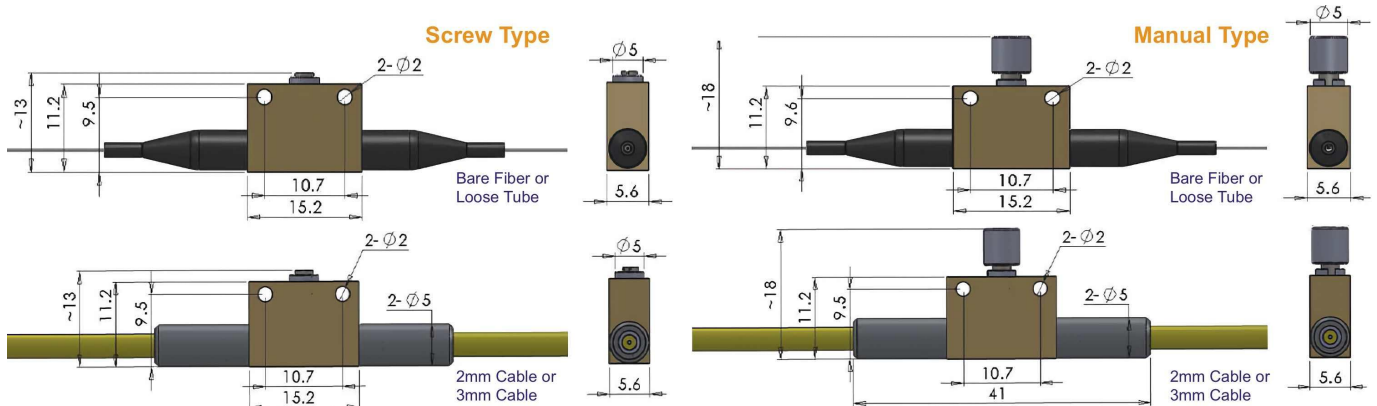


### SPECIFICATIONS

Parameter	Unit	Value
Center Wavelength	nm	1625, 1650, 1700, 1750
Bandwidth	nm	+/-20
Max. Insertion Loss	dB	1.2
Attenuation Range	dB	0.8~30
Resolution (<10dB attenuation)	dB	≤0.4
Optical Return Loss	dB	≥30
Fiber Type	-	50/125um GIMM Fiber(5) or 62.5/125um GIMM Fiber(6) 50/125um GIMM OM3 Fiber(3) or 106.5/125um NA=0.22(J) 105/125um NA=0.12(D), NA=0.15(B) or NA=0.22(A)
Fiber Tensile Load	N	5
Max. Optical Power (CW)	mW	300
Operating Temperature	°C	0~50
Storage Temperature	°C	-40~85

- Note:**
1. Specifications are for device without connectors; Specifications may change without notice.
  2. To add connectors, IL is 0.3dB higher, RL is 10dB lower.
  3. Specifications are tested at low order modes.
  4. Devices with other wavelength range are also available per request.
  5. Devices for higher optical power or with other type fiber or consigned fiber are also available.

### PACKAGE DIMENSION



### ORDERING INFORMATION (PN)

**PMAM-NNNN - (C) C C NN - CC/CCC**

Center Wavelength	Package	Fiber Type	Fiber Sleeve	Fiber Length	Connector Type
1625-1625nm	M=Manual Type	5= 50/125um MM Fiber	B= Bare fiber	05=0.5m	N=Without Connector
1650-1650nm	Blank for Screw Type	6= 62.5/125um MM Fiber	L= Loose Tube	10=1.0m	FC/APC=FC/APC Connector
1700-1700nm		A= 105/125um, NA=0.22	2= 2mm Cable	15=1.5m	LC/PC=LC/PC Connector
1750-1750nm		B=105/125um, NA=0.15	3= 3mm Cable	20=2.0m	SC/UPC=SC/UPC Connector