

1300~1590nm Multimode Manual VOA for Pulse Power

FEATURES

- ☑ Low Excess Loss
- ☑ Various Attenuation
- ☑ Wide Passband
- ☑ High Stability and Reliability
- ☑ Epoxy Free Optical Path

APPLICATIONS

- ☑ Optical Amplifier
- ☑ Optical Networks
- ☑ Power Monitoring
- ☑ Fiber Sensor
- ☑ Labs



SPECIFICATIONS

Parameter	Unit	Value
Center Wavelength	nm	1300, 1480, 1550, 1590
Bandwidth	nm	+/-20
Max. Insertion Loss	dB	1.0
Attenuation Range	dB	0.6~30
Resolution (<10dB attenuation)	dB	≤0.3
Optical Return Loss	dB	≥30
Fiber Type	-	50/125um GIMM Fiber(5) or 62.5/125um GIMM Fiber(6) 50/125um GIMM OM3 Fiber(3) or 106.5/125um NA=0.22(J) 105/125um NA=0.12(D), NA=0.15(B) or NA=0.22(A)
Fiber Tensile Load	N	5
Max. Thru Average Power	W	0.3, 0.5, 1, 2, 3, 5, 10
Max. Peak Power for Pulse	kW	0.1, 1, 2, 3, 5, 10, 15, 20
Max. Attenuated Average Power	W	2
Operating Temperature	°C	0~50
Storage Temperature	°C	-40~85

Note: 1. Specifications are for device without connectors; Specifications may change without notice.

2. To add connectors, IL is 0.3dB higher, RL is 10dB lower.

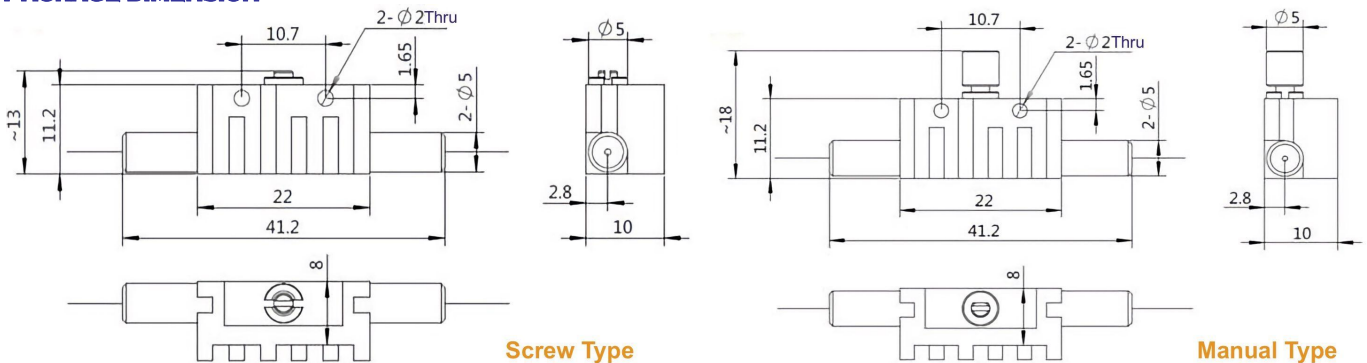
3. Only guarantee 1W continuous wave (CW) power thru testing for connectors added.

4. Specifications are tested at low order modes.

5. Devices with other wavelength range are also available per request.

6. Devices for higher optical power or with other type fiber or consigned fiber are also available.

PACKAGE DIMENSION



ORDERING INFORMATION (PN)

PMAM-NNNN	-(C)	H	NN	P	NN	- C	C	NN	- CC/CCC
Wavelength	Package	Average Power	Peak Power	Fiber Type	Fiber Sleeve	Fiber Length	Connector Type		
1300~1300nm	M=Manual Type	03=300mW	01=100W	5= 50/125um MM Fiber	B= Bare fiber	05=0.5m	N=Without Connector		
1480~1480nm	Blank for Screw Type	1= 1W	1= 1kW	6= 62.5/125um MM Fiber	L= Loose Tube	10=1.0m	FC/APC=FC/APC Connector		
1550~1550nm		2=2W	5= 5kW	A= 105/125um, NA=0.22	2= 2mm Cable	15=1.5m	LC/PC=LC/PC Connector		
1590~1590nm		10=10W	10=10kW	B=105/125um, NA=0.15	3= 3mm Cable	20=2.0m	SC/UPC=SC/UPC Connector		

