

750~850nm PM Manual VOA for Pulse Power

FEATURES

- ▣ Low Excess Loss
- ▣ Various Splitting Ratio
- ▣ Wide Passband
- ▣ High Stability and Reliability
- ▣ Epoxy Free Optical Path

APPLICATIONS

- ▣ Optical Amplifier
- ▣ Optical Networks
- ▣ Power Monitoring
- ▣ Fiber Sensor
- ▣ Lab

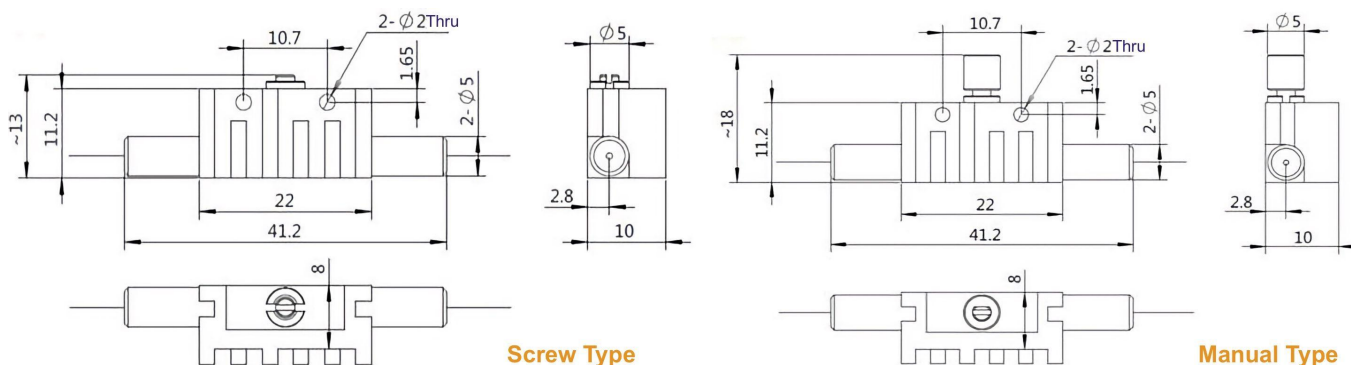


SPECIFICATIONS

Parameter	Unit	Value
Center Wavelength	nm	750, 780, 793, 808, 830, 850
Bandwidth	nm	+/-10
Attenuation Range	dB	1.2~30
Resolution (<10dB attenuation)	dB	0.3
ER (at lowest attenuation)	dB	≥18
Optical Return Loss	dB	≥45
Fiber Type	-	PM850 Panda Fiber or PM780HP Fiber
Fiber Tensile Load	N	5
Max. Thru Average Power	W	0.3, 0.5, 1, 2, 3, 5, 10
Max. Peak Power for Pulse	kW	0.1, 1, 2, 3, 5, 10, 15, 20
Max. Attenuated Average Power	W	2
Operating Temperature	°C	0~50
Storage Temperature	°C	-40~85

- Note:**
1. Specifications are for device without connectors; Specifications may change without notice.
 2. To add connectors, IL is 0.7dB higher, RL is 5dB lower, ER is 2dB Lower, Connector key is aligned to slow axis.
 3. Only guarantee 1W continuous wave (CW) power thru testing for connectors added.
 4. Devices for higher optical power or with other type fiber or consigned fiber are also available.

PACKAGE DIMENSION



ORDERING INFORMATION (PN)

Center Wavelength	Package	Average Power	Peak Power	Fiber Type	Fiber Sleeve	Fiber Length	Connector Type
780-780nm	M=Manual Type	03-300mW	01-100W	2-PM850 Fiber	B= Bare fiber	05-0.5m	N=Without Connector
793-793nm	Blank for Screw Type	1-1W	1-1kW	7-780-HP Fiber	L= Loose Tube	10-1.0m	FC/APC=FC/APC Connector
830-830nm		2-2W	5-5kW		2= 2mm Cable	15-1.5m	LC/PC=LC/PC Connector
850-850nm		10-10W	10-10kW		3= 3mm Cable	20-2.0m	SC/UPC=SC/UPC Connector