

900~960nm PM Manual VOA

FEATURES

- ▣ Low Excess Loss
- ▣ Various Attenuation
- ▣ Wide Passband
- ▣ High Stability and Reliability
- ▣ Epoxy Free Optical Path

APPLICATIONS

- ▣ Optical Amplifier
- ▣ Optical Networks
- ▣ Power Monitoring
- ▣ Fiber Sensor
- ▣ Labs

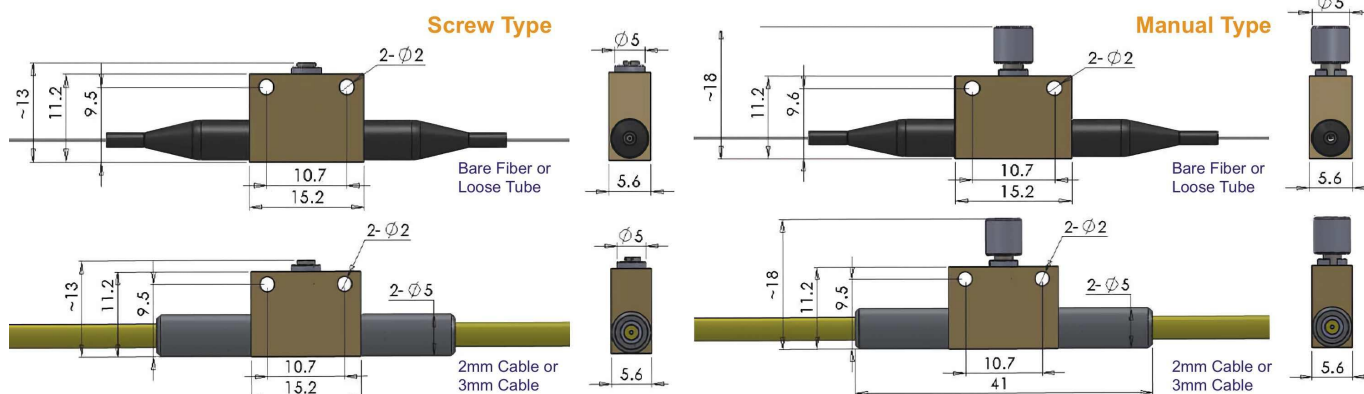


SPECIFICATIONS

Parameter	Unit	Value
Center Wavelength	nm	915, 930, 940, 950
Bandwidth	nm	+/-15
Max. Insertion Loss	dB	1.2
Attenuation Range	dB	0.8~30
Resolution (<10dB attenuation)	dB	0.2
ER (at lowest attenuation)	dB	≥20
Optical Return Loss	dB	≥45
Fiber Type	-	PM850 Fiber, PM980 Fiber or PM1060L Fiber (E) 10/125um PMDC Fiber (O), 15/130um PMDC Fiber (W) 20/130um PMDC Fiber (Q) or 25/250um PMDC Fiber (R)
Fiber Tensile Load	N	5
Max. Optical Power (CW)	mW	300
Operating Temperature	°C	0~50
Storage Temperature	°C	-40~85

- Note:**
1. Specifications are for device without connectors; Specifications may change without notice.
 2. To add connectors, IL is 0.7dB higher, RL is 5dB lower, ER is 2dB Lower, Connector key is aligned to slow axis.
 3. Only guarantee 1W continuous wave (CW) power thru testing for connectors added.
 4. Devices for higher optical power or with other type fiber or consigned fiber are also available; Devices can only work in the core of Double Cladding (DC) Fiber, Cladding Power must be stripped before connecting the device.

PACKAGE DIMENSION



ORDERING INFORMATION (PN)

PMAP-NNNN	-	(C)	-	C	C	NN	-	CC/CCC
<i>Center Wavelength</i>		<i>Package</i>		<i>Fiber Type</i>	<i>Fiber Sleeve</i>	<i>Fiber Length</i>		<i>Connector Type</i>
915=915nm		M=Manual Type		2=PM850Fiber	B= Bare fiber	05=0.5m		N=Without Connector
930=930nm		Blank for Screw Type		H=PM980 Fiber	L= Loose Tube	10=1.0m		FC/APC=FC/APC Connector
940=940nm				E=PM1060L Fiber	2= 2mm Cable	15=1.5m		LC/PC=LC/PC Connector
950=950nm				R=25/250 PMDC Fiber	3= 3mm Cable	20=2.0m		SC/UPC=SC/UPC Connector

