

980~1120nm PM Manual VOA

FEATURES

- ▣ Low Excess Loss
- ▣ Various Attenuation
- ▣ Wide Passband
- ▣ High Stability and Reliability
- ▣ Epoxy Free Optical Path

APPLICATIONS

- ▣ Optical Amplifier
- ▣ Optical Networks
- ▣ Power Monitoring
- ▣ Fiber Sensor
- ▣ Labs

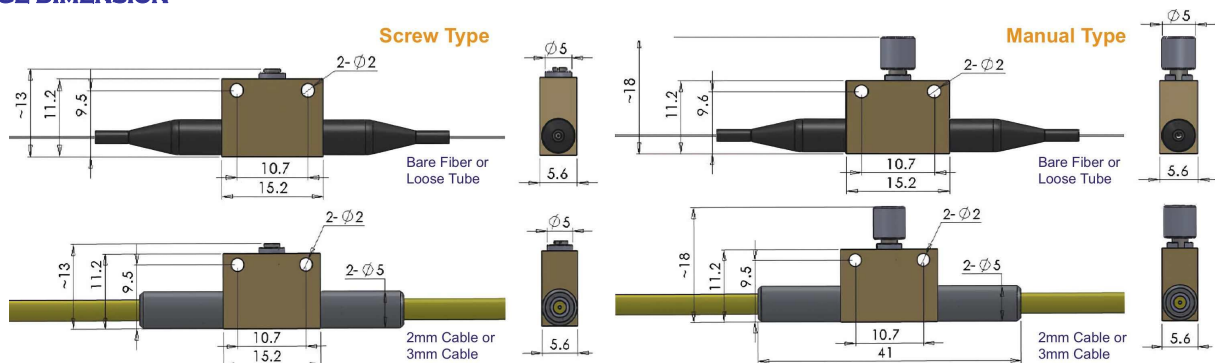


SPECIFICATIONS

Parameter	Unit	Value	
Center Wavelength	nm	975, 980, 990, 1000 1020, 1030, 1040, 1053 1064, 1070, 1080	1092, 1103, 1120, 1150
Bandwidth	nm	+/-20	+/-10
Max. Insertion Loss	dB	0.8	1.0
Attenuation Range	dB	0.6~30	
Resolution (<10dB attenuation)	dB	0.1	
ER (at lowest attenuation)	dB	≥20	
Optical Return Loss	dB	≥45	
Fiber Type	-	PM980 Fiber, PM1060L Fiber (E) or PM1060L-FA Fiber (L) 10/125um PMDC Fiber (O), 15/130um PMDC Fiber (W) 20/130um PMDC Fiber (Q) or 25/250um PMDC Fiber (R)	
Fiber Tensile Load	N	5	
Max. Optical Power (CW)	mW	300	
Operating Temperature	°C	0~50	
Storage Temperature	°C	-40~85	

- Note:**
- Specifications are for device without connectors; Specifications may change without notice.
 - To add connectors, IL is 0.5dB higher, RL is 5dB lower, ER is 2dB Lower, Connector key is aligned to slow axis.
 - Only guarantee 1W continuous wave (CW) power thru testing for connectors added.
 - Devices for higher optical power or with other type fiber or consigned fiber are also available; Devices can only work in the core of Double Cladding (DC) Fiber, Cladding Power must be stripped before connecting the device.

PACKAGE DIMENSION



ORDERING INFORMATION (PN)

PMAP-NNNN

- (C)

- C

C

NN

-CC/CCC

Center Wavelength

Package

Fiber Type

Fiber Sleeve

Fiber Length

Connector Type

980-980nm

M=Manual Type

2=PM980Fiber

B= Bare fiber

05=0.5m

N=Without Connector

1030-1030nm

Blank for Screw Type

E=PM1060L Fiber

L= Loose Tube

10=1.0m

FC/APC=FC/APC Connector

1064-1064nm

Q=20/130 PMDC Fiber

2= 2mm Cable

15=1.5m

LC/PC=LC/PC Connector

1120-1120nm

R=25/250 PMDC Fiber

3= 3mm Cable

20=2.0m

SC/UPC=SC/UPC Connector

