

## PM High Power Manual Adjustable Optical Attenuator

### FEATURES

- ▣ Low Excess Loss
- ▣ Various Splitting Ratio
- ▣ Wide Passband
- ▣ High Stability and Reliability
- ▣ Epoxy Free Optical Path

### APPLICATIONS

- ▣ Optical Amplifier
- ▣ Optical Networks
- ▣ Power Monitoring
- ▣ Fiber Sensor
- ▣ Labs

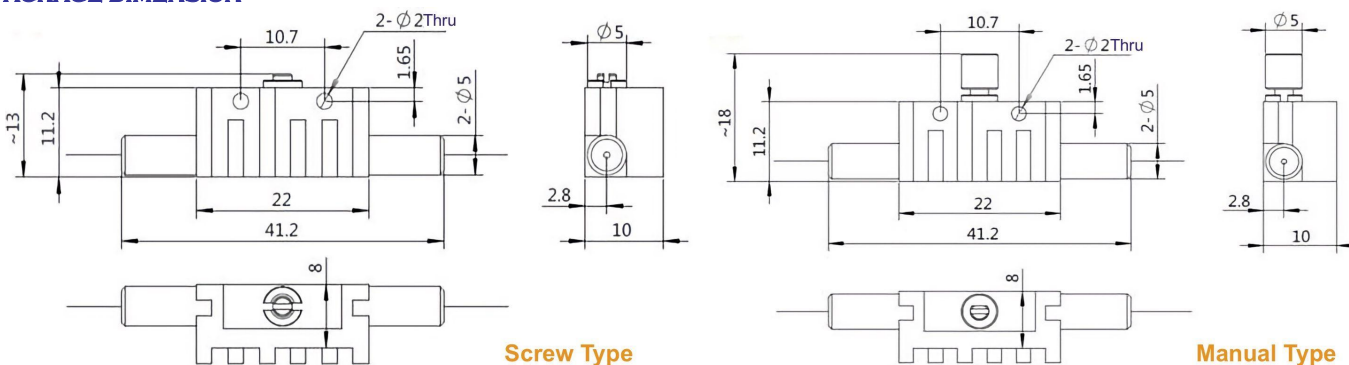


### SPECIFICATIONS

Parameter	Unit	Value
Center Wavelength	nm	1310, 1480, 1550, 1590
Bandwidth	nm	+/-20
Max. Insertion Loss	dB	0.8
Attenuation Range	dB	0.6~30
Resolution (<10dB attenuation)	dB	0.1
ER (at lowest attenuation)	dB	≥18
Optical Return Loss	dB	≥45
Fiber Type	-	PM1310/1550 Panda Fiber, 10/125um PMDC Fiber (O), 12/130um PMDC Fiber (T), 20/130um PMDC Fiber (Q) 25/250um PMDC Fiber (R), 25/300um PMDC Fiber (G)
Fiber Tensile Load	N	5
Max. Thru Optical Power (CW)	W	1, 2, 3, 5, 10
Max. Attenuated Optical Power (CW)	W	2
Operating Temperature	°C	0~70
Storage Temperature	°C	-40~85

- Note:**
- Specifications are for device without connectors; Specifications may change without notice.
  - To add connectors, IL is 0.3dB higher, RL is 5dB lower, ER is 2dB Lower, Connector key is aligned to slow axis.
  - Only guarantee 1W continuous wave (CW) power thru testing for connectors added.
  - Devices for higher optical power or with other type fiber or consigned fiber are also available; Devices can only work in the core of Double Cladding (DC) Fiber, Cladding Power must be stripped before connecting the device.

### PACKAGE DIMENSION



### ORDERING INFORMATION (PN)

Center Wavelength	Package	Optical Power	Fiber Type	Fiber Sleeve	Fiber Length	Connector Type
1310-1310nm	M=Manual Type	1=1W	2=PM1310/1550 Fiber	B= Bare fiber	05=0.5m	N=Without Connector
1480-1480nm	Blank for Screw Type	2=2W	0=10/125 PMDC Fiber	L= Loose Tube	10=1.0m	FC/APC=FC/APC Connector
1550-1550nm		5=5W	T=12/130 PMDC Fiber	2= 2mm Cable	15=1.5m	LC/PC=LC/PC Connector
1590-1590nm		10=10W	R=25/250 PMDC Fiber	3= 3mm Cable	20=2.0m	SC/UFC=SC/UFC Connector