

750-850nm Manual Adjustable Optical Attenuator

FEATURES

- ▣ Low Excess Loss
- ▣ Various Splitting Ratio
- ▣ Wide Passband
- ▣ High Stability and Reliability
- ▣ Epoxy Free Optical Path

APPLICATIONS

- ▣ Optical Amplifier
- ▣ Optical Networks
- ▣ Power Monitoring
- ▣ Fiber Sensor
- ▣ Lab

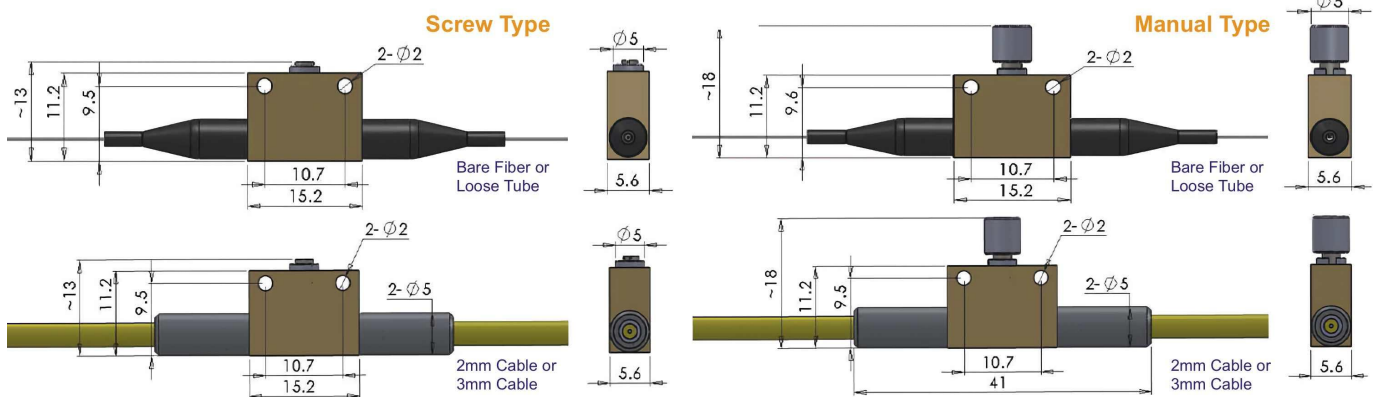


SPECIFICATIONS

Parameter	Unit	Value
Center Wavelength	nm	750, 780, 793, 808, 830, 850
Bandwidth	nm	+/-10
Attenuation Range	dB	1.2~30
Resolution (<10dB attenuation)	dB	0.3
PDL (at lowest attenuation)	dB	≤0.2
Optical Return Loss	dB	≥45
Fiber Type	-	HI780 Fiber or 780-HP Fiber
Fiber Tensile Load	N	5
Max. Optical Power (CW)	mW	300
Operating Temperature	°C	0~50
Storage Temperature	°C	-40~85

- Note:**
1. Specifications are for device without connectors; Specifications may change without notice.
 2. To add connectors, IL is 0.7dB higher, RL is 5dB lower.
 3. Devices for higher optical power or with other type fiber or consigned fiber are also available.

PACKAGE DIMENSION



ORDERING INFORMATION (PN)

PMVA- NNN	-	(C)	(C)	C	NN	- CC/CCC
<i>Center Wavelength</i>		<i>Package</i>	<i>Fiber Type</i>	<i>Fiber Sleeve</i>	<i>Fiber Length</i>	<i>Connector Type</i>
780-780nm		M=Manual Type	7-780-HP Fiber	B= Bare fiber	05=0.5m	N=Without Connector
793-793nm		Blank for Screw Type	Blank for HI780 Fiber	L= Loose Tube	10=1.0m	FC/APC=FC/APC Connector
830-830nm				2= 2mm Cable	15=1.5m	LC/PC=LC/PC Connector
850-850nm				3= 3mm Cable	20=2.0m	SC/UPC=SC/UPC Connector