

900~960nm Manual VOA for Pulse Power

FEATURES

- ▣ Low Excess Loss
- ▣ Various Attenuation
- ▣ Wide Passband
- ▣ High Stability and Reliability
- ▣ Epoxy Free Optical Path

APPLICATIONS

- ▣ Optical Amplifier
- ▣ Optical Networks
- ▣ Power Monitoring
- ▣ Fiber Sensor
- ▣ Labs

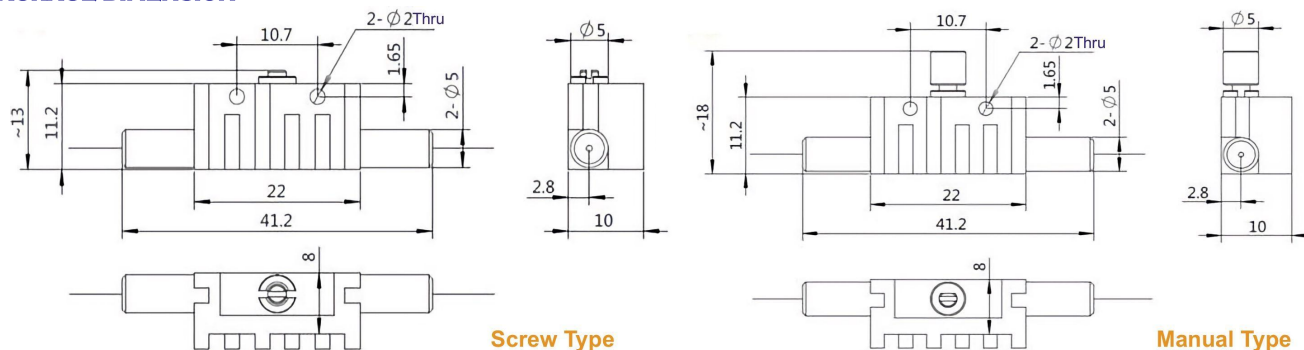


SPECIFICATIONS

Parameter	Unit	Value
Center Wavelength	nm	915, 930, 940, 950
Bandwidth	nm	+/-15
Max. Insertion Loss	dB	1.2
Attenuation Range	dB	0.8~30
Resolution (<10dB attenuation)	dB	0.2
PDL (at lowest attenuation)	dB	≤0.2
Optical Return Loss	dB	≥45
Fiber Type	-	HI780 Fiber, HI1060 Fiber or 10/125um SC Fiber (E) 10/125um DC Fiber (O), 15/130um DC Fiber (W) 20/130um DC Fiber (Q) or 25/250um DC Fiber (R)
Fiber Tensile Load	N	5
Max. Thru Average Power	W	0.3, 0.5, 1, 2, 3, 5, 10
Max. Peak Power for Pulse	kW	0.1, 1, 2, 3, 5, 10, 15, 20
Max. Attenuated Average Power	W	2
Operating Temperature	°C	0~50
Storage Temperature	°C	-40~85

- Note:**
- Specifications are for device without connectors; Specifications may change without notice.
 - To add connectors, IL is 0.7dB higher, RL is 5dB lower.
 - Only guarantee 1W continuous wave (CW) power thru testing for connectors added.
 - Devices for higher optical power or with other type fiber or consigned fiber are also available; Devices can only work in the core of Double Cladding (DC) Fiber, Cladding Power must be stripped before connecting the device.

PACKAGE DIMENSION



ORDERING INFORMATION (PN)

PMVA -NNN	- (C)	H NN	P NN	- (C)	C	NN	-CC/CCC
Center Wavelength	Package	Average Power	Peak Power	Fiber Type	Fiber Sleeve	Fiber Length	Connector Type
915~915nm	M=Manual Type	03=300mW	01=100W	H=HI1060 Fiber	B= Bare fiber	05=0.5m	N=Without Connector
930~930nm	Blank for Screw Type	1=1W	1=1kW	E=10/125 SC Fiber	L= Loose Tube	10=1.0m	FC/APC=FC/APC Connector
940~940nm		2=2W	5=5kW	R=25/250 DC Fiber	2= 2mm Cable	15=1.5m	LC/PC=LC/PC Connector
950~950nm		10=10W	10=10kW	Blank for HI780 Fiber	3= 3mm Cable	20=2.0m	SC/UPC=SC/UPC Connector

