

980~1150nm Manual VOA

FEATURES

- ▣ Low Excess Loss
- ▣ Various Attenuation
- ▣ Wide Passband
- ▣ High Stability and Reliability
- ▣ Epoxy Free Optical Path

APPLICATIONS

- ▣ Optical Amplifier
- ▣ Optical Networks
- ▣ Power Monitoring
- ▣ Fiber Sensor
- ▣ Labs



SPECIFICATIONS

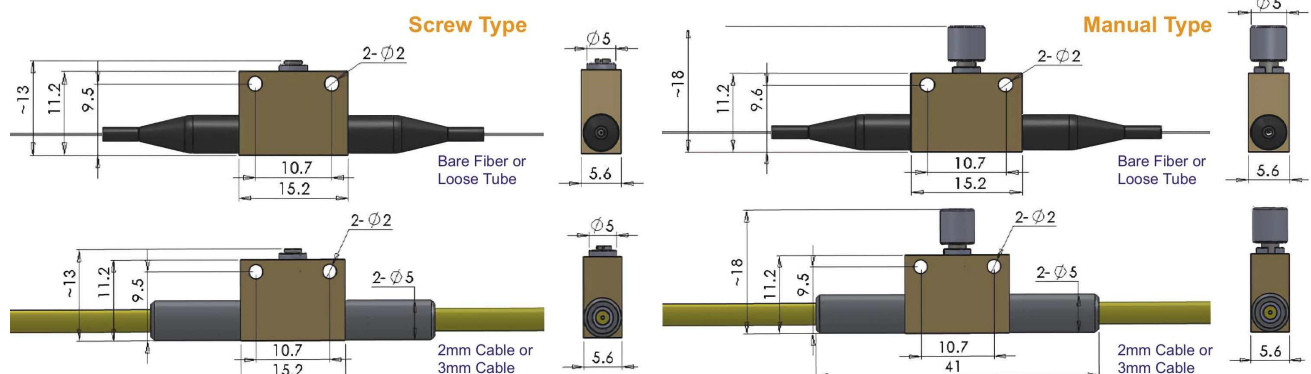
Parameter	Unit	Value	
Center Wavelength	nm	975, 980, 990, 1000 1020, 1030, 1040, 1053 1064, 1070, 1080	1092, 1103 1120, 1150
Bandwidth	nm	+/-20	+/-10
Max. Insertion Loss	dB	0.8	1.0
Attenuation Range	dB	0.6~30	
Resolution (<10dB attenuation)	dB	0.1	
PDL (at lowest attenuation)	dB	≤0.15	
Optical Return Loss	dB	≥45	
Fiber Type	-	HI1060 Fiber or 10/125um SC Fiber (E) 10/125um DC Fiber (O), 15/130um DC Fiber (W) 20/130um DC Fiber (Q) or 25/250um DC Fiber (R)	
Fiber Tensile Load	N	5	
Max. Optical Power (CW)	mW	300	
Operating Temperature	°C	0~50	
Storage Temperature	°C	-40~85	

Note: 1. Specifications are for device without connectors; Specifications may change without notice.

2. To add connectors, IL is 0.5dB higher, RL is 5dB lower.

3. Devices for higher optical power or with other type fiber or consigned fiber are also available; Devices can only work in the core of Double Cladding (DC) Fiber, Cladding Power must be stripped before connecting the device.

PACKAGE DIMENSION



ORDERING INFORMATION (PN)

PMVA-NNNN	-	(C)	-	(C)	C	NN	-	CC/CCC
<i>Center Wavelength</i>		<i>Package</i>		<i>Fiber Type</i>	<i>Fiber Sleeve</i>	<i>Fiber Length</i>		<i>Connector Type</i>
980-980nm		M-Manual Type		E-10/125 SC Fiber	B- Bare fiber	05=0.5m		N-Without Connector
1030-1030nm		Blank for Screw Type		Q=20/130 DC Fiber	L- Loose Tube	10=1.0m		FC/APC=FC/APC Connector
1064-1064nm				R=25/250 DC Fiber	2= 2mm Cable	15=1.5m		LC/PC=LC/PC Connector
1120-1120nm				Blank for HI1060 Fiber	3= 3mm Cable	20=2.0m		SC/UFC=SC/UFC Connector

