

## 980~1150nm Manual VOA for Pulse Power

### FEATURES

- ▣ Low Excess Loss
- ▣ Various Attenuation
- ▣ Wide Passband
- ▣ High Stability and Reliability
- ▣ Epoxy Free Optical Path

### APPLICATIONS

- ▣ Optical Amplifier
- ▣ Optical Networks
- ▣ Power Monitoring
- ▣ Fiber Sensor
- ▣ Labs



### SPECIFICATIONS

Parameter	Unit	Value	
Center Wavelength	nm	975, 980, 990, 1000 1020, 1030, 1040, 1053 1064, 1070, 1080	1092, 1103 1120, 1150
Bandwidth	nm	+/-20	+/-10
Max. Insertion Loss	dB	0.8	1.0
Attenuation Range	dB	0.6~30	
Resolution (<10dB attenuation)	dB	0.1	
PDL (at lowest attenuation)	dB	≤0.15	
Optical Return Loss	dB	≥45	
Fiber Type	-	HI1060 Fiber or 10/125um SC Fiber (E) 10/125um DC Fiber (O), 15/130um DC Fiber (W) 20/130um DC Fiber (Q) or 25/250um DC Fiber (R)	
Fiber Tensile Load	N	5	
Max. Thru Average Power	W	0.3, 0.5, 1, 2, 3, 5, 10	
Max. Peak Power for Pulse	kW	0.1, 1, 2, 3, 5, 10, 15, 20	
Max. Attenuated Average Power	W	2	
Operating Temperature	°C	0~50	
Storage Temperature	°C	-40~85	

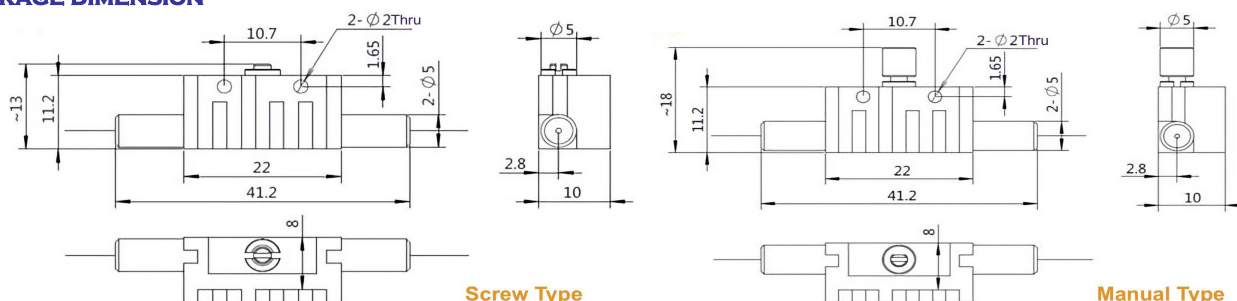
**Note:** 1. Specifications are for device without connectors; Specifications may change without notice.

2. To add connectors, IL is 0.5dB higher, RL is 5dB lower.

3. Only guarantee 1W continuous wave (CW) power thru testing for connectors added.

4. Devices for higher optical power or with other type fiber or consigned fiber are also available; Devices can only work in the core of Double Cladding (DC) Fiber, Cladding Power must be stripped before connecting the device.

### PACKAGE DIMENSION



### ORDERING INFORMATION (PN)

PMVA-NNNN	(C)	H NN	P NN	(C)	C	NN	- CC/CCC
Center Wavelength	Package	Average Power	Peak Power	Fiber Type	Fiber Sleeve	Fiber Length	Connector Type
980-980nm	M=Manual Type	03=300mW	01=100W	E=10/125 SC Fiber	B= Bare fiber	05=0.5m	N=Without Connector
1030=1030nm	Blank for Screw Type	1= 1W	1= 1kW	Q=20/130 DC Fiber	L= Loose Tube	10=1.0m	FC/APC=FC/APC Connector
1064=1064nm		2=2W	5= 5kW	R=25/250 DC Fiber	2= 2mm Cable	15=1.5m	LC/PC=LC/PC Connector
1120=1120nm		10=10W	10=10kW	Blank for HI1060 Fiber	3= 3mm Cable	20=2.0m	SC/UPC=SC/UPC Connector

